

= Dawn of a new era in projection =

## 3D Projector EIP-D450



=3D Moving Image=



=3D Still Image=

4,500lm	XGA
x 1.15	RJ45 5.8kg

\*3D shutter glasses are optional



### 3D Features and Use

- You can throw 3D moving image and also 3D Still in addition to the normal 2D image.
- Not special screen required, you can throw 3D image even on the wall.
- Not only for 120Hz, but also 60Hz Output is acceptable for 3D projection.
- No limit in the number of viewer with only 3D LCD Shutter glasses.
  - ➔ Can use 3D function in an event with game and movie.
  - ➔ Can attract the student in class and also useful for them to understand more deeply.



### Projector Features

- True XGA ( 1,024x768) / 1080P (Compatible)
- Brightness 4,500 lumens/ Contrast ratio 2,500:1
- Brilliant Color™ 5-Segment Color Wheel (R/G/B/W/Y)
- Manual Zoom (x 1.15) & Focus
- Built-in RJ45 Wired Network projector control and content delivery
- Direct Power On / Off function
- Filter-Free design
- Built-in 10W(5W+5W) Audio Speaker
- GUI pointer and spot light R/C
- Closed Captioning function (for USA only)



- Lamp can be exchanged from Front cabinet.



- Built-in "Security Bar" for Higher security

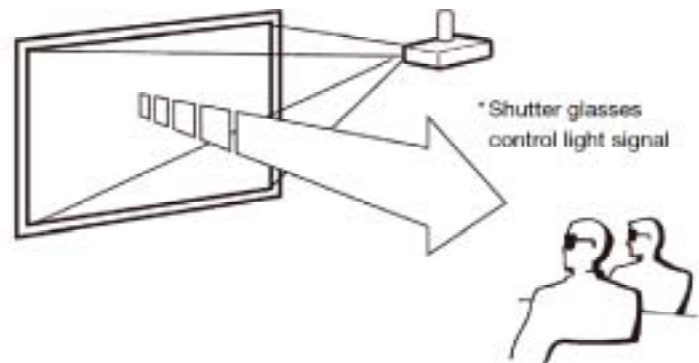
## How the 3D Projection Function (DLP® Link™) Works

The 3D projection function of this projector is compatible with the DLP®Link™ system.

To watch 3D images, you use a pair of 3D LCD shutter glasses that alternately display the projected images for the left and right eyes and are synchronized with a control (light) signal.

The control light signal is transmitted from the lens of the projector, reflected by the screen, and received by the light reception sensor on the 3D LCD shutter glasses.

Therefore, the range of 3D viewing varies depending on the specifications of the 3D LCD shutter glasses (light signal receiving sensitivity).



## What you will need to enjoy 3D images with EIP-D450

- 1) Source devices that support the field sequential format .
  - \* Your computer graphics card must be able to display 3D stereoscopic signals.
  - \* You may be required software for 3D player to play 3D movie and 3D Still image.
- 2) 3D LCD shutter glasses that support the DLP® Link™ system.
  - \* DLP®Link™ is a trademark of Texas Instruments.



### ◆Required spec. for 3D◆

<b>&lt;PC&gt;</b>	
Over Microsoft Windows Vista (32bit) or XP (32bit) SP2	
CPU over Intel Core 2 Duo	
1GB system memory (2GB is recommended)	
1GB or more Free disc space	
<b>&lt;Video Card&gt; (NVIDIA GeForce GPU required)</b>	
Over GeForce GT 240	
Over GeForce 9800 GT	
Over GeForce 8800 GTS	
Later Video card driver R191.00	
<b>&lt;Software&gt;</b>	
Over Direct X 9.0c	
Windows Media Player 11	
<b>&lt;RGB Output&gt;</b>	
1024x 768 @ 120Hz / 1024x768 @ 60Hz	

## Specifications

Screen Brightness (ANSI)	Up to 4,500Lumens	Lens	F number	F 2.5-2.7
Imaging System	0.7" 1-chip DLP®		Zoom	Manual, x1.15 (f=21.0-24.2mm)
Color Reproduction	10-bit/1.07Billion colors	Input Terminals	Focus	Manual
Illumination Uniformity	95%		DVI-I	x 1 (Compatible w/HDCP)
Resolution	XGA (1024x768)		Computer /Component	mini D-sub 15pin x 1
Speakers	10W (5W x 2) - Stereo		S-Video	mini DIN 4pin x 1
Projection lamp	330 W		Video	RCA x 1
Rated Voltage	AC 100-240 V	Output Terminals	Audio	φ3.5mmstereo minijack x 1
Rated frequency	50/60 Hz		Audio	RCA x 1 (L/R)
Input current	4.5 A	Control & communication Terminals	Computer /Component	mini D-sub 15pin x 1
Power consumption (Standby)	429W(10.2W) w/ AC 100V 408W (10.8W) w/ AC 240V		Audio	φ3.5mmstereo minijack x 1
Operation Temperature	41F to 95F (+5°C to +35°C)		LAN	RJ-45 x 1
Dimensions (WxHxD)	400 x 100 x 335 mm (15 3/4" x 3 15/16" x 13 13/64")		USB (TypeB)	x 1
Weight (approx.)	5.8kg (12.8lbs.)		RS-232C	miniD-sub9pin x 1

## EIP-D450



- True XGA(1024x768) / 1080P(Compatible)
- Brightness 4,500 lumens / Contrast ratio 2500:1
- BrilliantColor™ 5-Segment Color Wheel
- Built-in 3D projection function
- Manual Zoom(x1.15) & Focus
- DVI-I, Dsub15 x2(in / out)
- Lamp can be exchanged from Front cabinet.
- Filter-Free design
- Direct Power On / Off
- Built-in 10W (5W+5W) Audio Speaker
- Built-in for Higher security \* Security Bar\*
- GUI Pointer and Spot light RC



\* 3D LCD shutter glasses is optional.



## SPECIFICATIONS

Model Name	EIP-D450
Screen Brightness	up to 4,500 lumens (Eco+Quiet: 3,000 lumens)
Illumination Uniformity	95%
Color Reproduction	10 bit / 1.07 Billion Colors
Contrast Ratio	2,500:1 (Full ON/OFF)
Horizontal Resolution	600 TV Lines (720P)
Projection Lamp	330 / 240 Watt (Normal / Eco+Quiet)
Estimated Lamp Life	3,000 / 2,000 hrs. (Eco+Quiet / Normal mode)
Imaging System	0.7" 1-chip DLP®
Screen Pixels	1024 x 768 in stripe configuration
Total Pixels	786,432(1024 x 768) x 1)
Lens Type	Manual Zoom and Focus
Lens Specs	Speed: F 2.5 ~ 2.7, f = 21.0 ~ 24.2 mm
Lens Ratios	Zoom: 1.15 : 1 ; Throw : Width: 1.5 ~ 1.7 : 1
Image Diagonal	40 ~ 500 in. (102 ~ 1270 cm)
Image Width	0.81 ~ 10.16 m (2.65 ~ 33.33 ft.)
Throw Distance	1.2 ~ 14.9 m
Front Elevation	up to 9° up
Maximum Pitch	up to 9° up
Projector Orientation	Normal, Inverted, Straight Up, Straight Down
Vertical Keystone Correction	Digital: up to 40° up or down
Image Orientation	Normal, Reversed, Inverted
Local Control / Power Management	Full Function / Auto Shut-Off
Remote Projector Control	Wireless (infra Red) x1
RS-232 Control Port	Dsub 9 x1
Mouse Control Port	USB -B x1
LAN Port	(10 Base-T / 100 Base-TX) RJ-45 x1
Computer Native Resolution	1024 x 768 (XGA)
Computer: Compatibility	UXGA*1*2, WSXGA*1*2, SXGA*1, SXGA*1, WXGA*1*2, WXGA*1, XGA, SVGA, VGA & MAC
Computer: Formats	1,600x1,200 through 640 x 480
Video: System Compatibility	NTSC / PAL / SECAM / NTSC 4.43 / PAL-M, N
Video: Compatibility	480i/p, 575i/p, 720p, 1035i, 1080i-50/60, 1080p/24/25/30 (digital only)
Video: Formats Supported	4:3 and 16:9
Video: Image Resizing	Video Scaling Technology
Video: Systems	Composite, S-Video, Component (Y,Pb/Cb,Pr/Cr)
Image Signal Inputs	
1. Computer	DVI-I (Compatible with HDCP) x1
2. Computer / Component	Dsub15 x1
plus Audio: shared - Inputs 1 & 2	Stereo: Mini Stereo x1
3. S-Video	S-Video x1
4. Composite	RCA x1
plus Audio: shared - Inputs 3 & 4	Stereo: RCA x2 (L&R)
Image Signal Outputs:	
Computer / Component	Dsub15 x1
plus Audio: shared - Inputs 1 & 2	Stereo: Mini Stereo x1(Variable)
Audio Built In Speakers	10.0 Watt (5.0 Watt x2)
Fan Noise	30 dBA / 37 dBA (Eco+Quiet / Bright)
Size (HxWxD)	100 x 400 x 335 mm(3.93 x 15.74 x 13.18 inch.) excluding projection
Weight	5.8 kg(12.8 lb.)
Packaged Size (HxWxD)	280 x 516 x 473 mm(11.02 x 20.31 x 18.62 inch.)
Packaged Weight	10kg(22.0lb.)
Power Requirements	100~240V AC, 50/60Hz
Power Consumption(Eco+Quiet)eat	Up to 429W, 1610BTU/hr, stand-by:10.8W
Power Cord	10' (3M) Type 3, Detachable
Electrical Safety Compliance	IEC / UL / cUL
Electromagnetic Compatibility	FCC Class A, CE Mark
Security Facilities	Kensington® Security Slot
Operating Temperature	41 ~ 95° F (5 ~ 35°C)
User Maintenance	Replace Lamp
Included Accessories	Owner's Manual on CD-ROM, Quick Guide, AC Power Cord, Computer Cable, 3RCA to Dsub15 Cable, Wireless/wired Remote with Mouse Control(with 2 AA batteries), Lens cap.

\*1 Compatible in intelligent compression. \*2 Analog RGB signal only.

\*Specification subject to change without notice. 10118